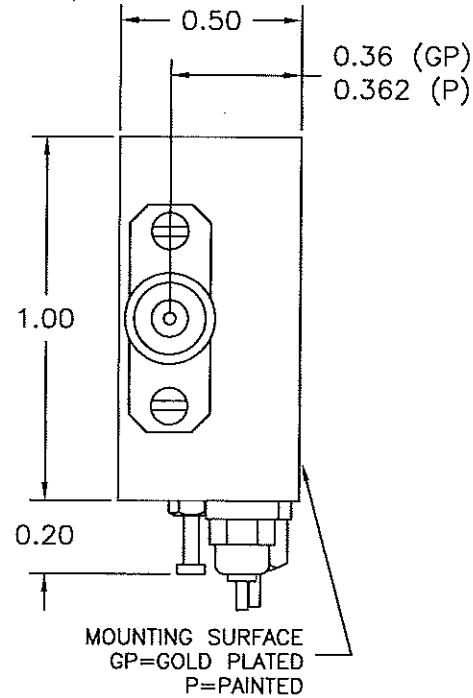
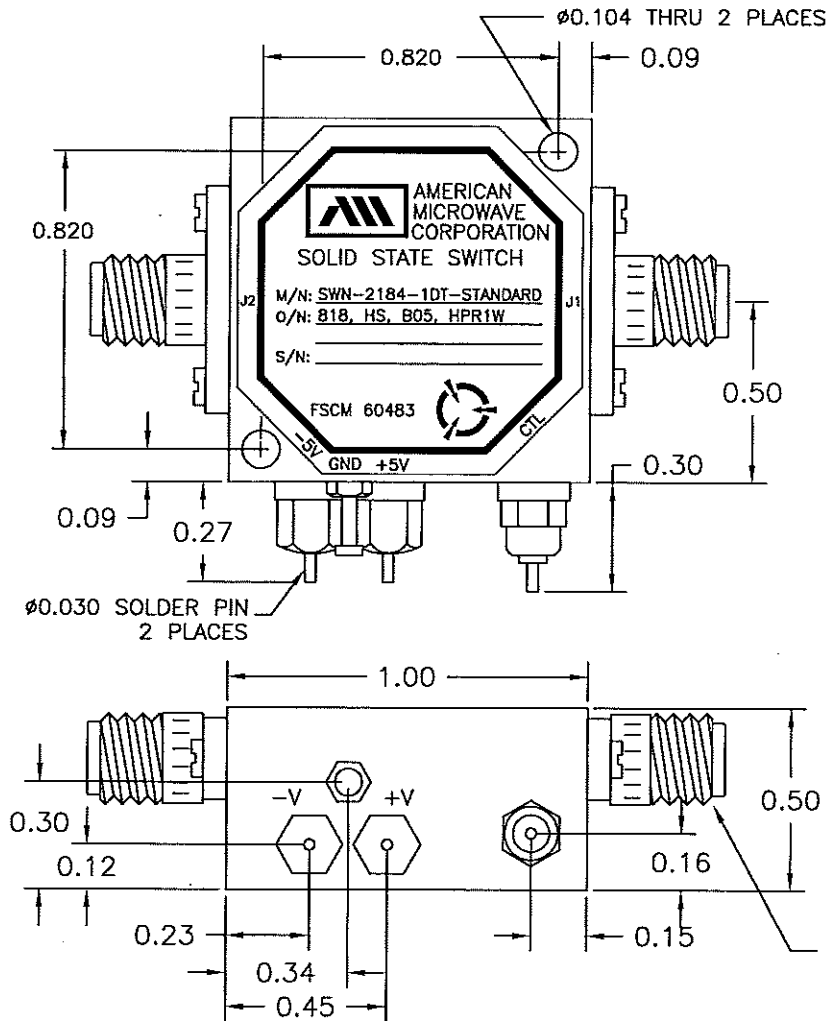


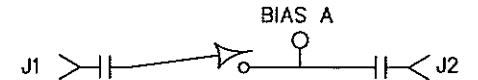
DESCRIPTION

AMC MODEL SWN-2184-1DT-STANDARD OPTION: 818, HSB05, HPR1W, -12VDC IS AN ABSORPTIVE/NON-REFLECTIVE HIGH SPEED, HIGH POWER SINGLE POLE SINGLE THROW SWITCH DESIGNED TO OPERATE OVER THE FULL 8 TO 18 GHz FREQUENCY RANGE.



MECHANICAL OUTLINE

BLOCK DIAGRAM



AMERICAN MICROWAVE CORPORATION

7311-G GROVE ROAD
 FREDERICK, MARYLAND 21704 USA
 TEL: 301-662-4700 FAX: 301-662-4938
 WEBSITE: www.americammicrowavecorp.com
 E-MAIL: sales@americammicrowavecorp.com
 ISO 9001:2000 CERTIFIED



ALL DIMENSIONS ARE IN INCHES
 TOLERANCES:
 X.XX ±0.020
 X.XXX ±0.010

APPROVALS		DATE	TITLE		
DRAWN		11/29/04	MECHANICAL OUTLINE		
CHECKED		1/8/08	SWN-2184-1DT-STANDARD		
ISSUED			OPTION: 818, HSB05, HPR1W, -12VDC		
SIZE	FSCM NO.	DWG NO.	8-18 GHz, SINGLE POLE SINGLE THROW SWITCH		
A	60483	100-7211-002	REV. -		
SCALE N:S		SHEET		2 OF 3	

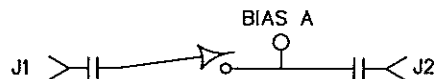
DESCRIPTION

AMC MODEL SWN-2184-1DT-STANDARD OPTION: 818, HSB05, HPR1W, -12VDC IS AN ABSORPTIVE/NON-REFLECTIVE HIGH SPEED, HIGH POWER SINGLE POLE SINGLE THROW SWITCH DESIGNED TO OPERATE OVER THE FULL 8 TO 18 GHz FREQUENCY RANGE.

SPECIFICATIONS

- FREQUENCY RANGE: 8 TO 18 GHz
- INSERTION LOSS: 3.5 dB MAXIMUM
- ISOLATION: 60 dB MINIMUM
- VSWR: 2.0:1
- RISE TIME 10 nSec
- POWER INPUT: (CW)+30 dBm (STANDARD)
- SURVIVAL POWER: 10 WATTS PEAK 1 uSec
- CONTROL: TTL LOGIC "0" = ON
TTL LOGIC "1" = OFF
- POWER SUPPLY: +5V @ 100 mA MAXIMUM
-12V @ 100 mA MAXIMUM
- CONNECTORS:
RF: SMA FEMALE
CONTROL: SOLDER PIN
- SIZE: 1.00" (L) x 1.00" (W) x 0.50" (H)
- WEIGHT: < 1.5 OUNCE

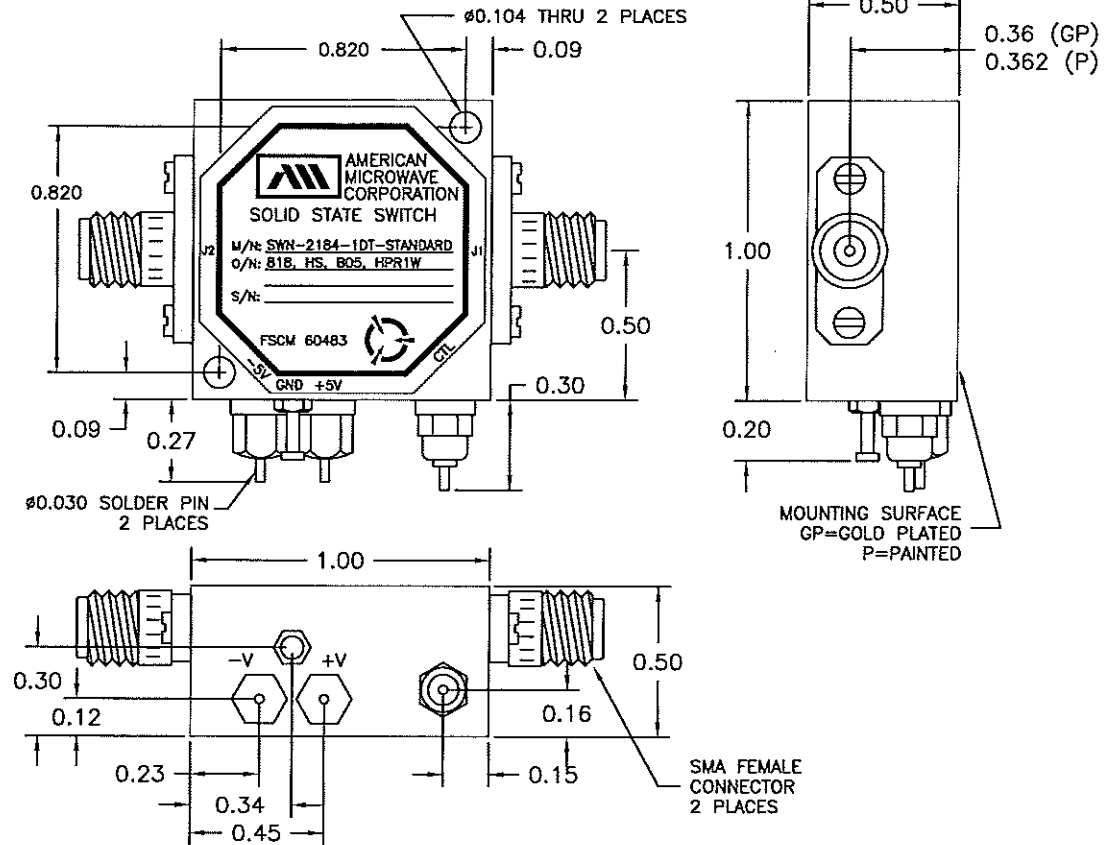
BLOCK DIAGRAM



ENVIRONMENTAL RATINGS

- TEMPERATURE: -55°C TO +85°C (OPERATING)
-65°C TO +125°C (STORAGE)
- HUMIDITY: MIL-STD-202F, METHOD 103B COND. B
- SHOCK: MIL-STD-202F, METHOD 213B COND. B
- VIBRATION: MIL-STD-202F, METHOD 204D COND. B
- ALTITUDE: MIL-STD-202F, METHOD 105C COND. B
- TEMPERATURE CYCLE: MIL-STD-202F, METHOD 107D COND. A

NOTE: SPECIFICATIONS WILL VARY OVER OPERATING TEMPERATURE
NOTE: THE ABOVE SPECIFICATIONS ARE SUBJECT TO CHANGE OR REVISION



REVISIONS				
ZONE	REV.	DESCRIPTION	DATE	APPROVED
	-	ORIGINAL RELEASE JOB# 409233X	11/29/04	<i>[Signature]</i>

AMERICAN MICROWAVE CORPORATION

7311-G GROVE ROAD
FREDERICK, MARYLAND 21704 USA
TEL: 301-662-4700 FAX: 301-662-4938
WEBSITE: www.americanmicrowavecorp.com
E-MAIL: sales@americanmicrowavecorp.com
ISO 9001:2000 CERTIFIED



APPROVALS		DATE	TITLE			REV.
DRAWN	<i>[Signature]</i>	11/29/04	PRODUCT FEATURE SWN-2184-1DT-STANDARD OPTION: 818, HSB05, HPR1W, -12VDC 8-18 GHz, SINGLE POLE SINGLE THROW SWITCH			-
CHECKED	<i>[Signature]</i>	11/29/04	SIZE	FSCM NO.	DWG NO.	
ISSUED			A	60483	100-7211-002	
			SCALE	N:S		SHEET 1 OF 3

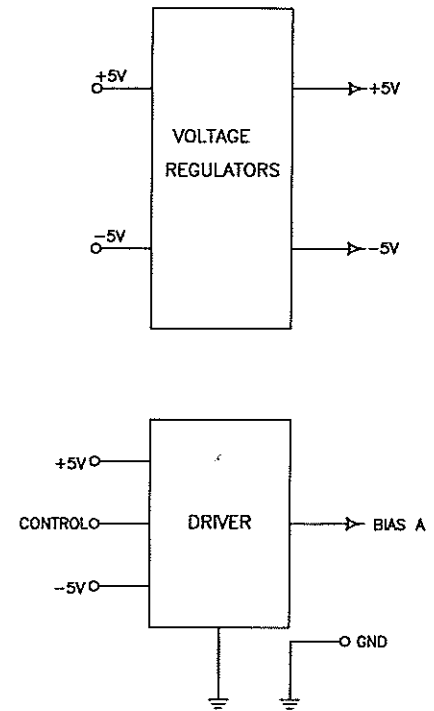
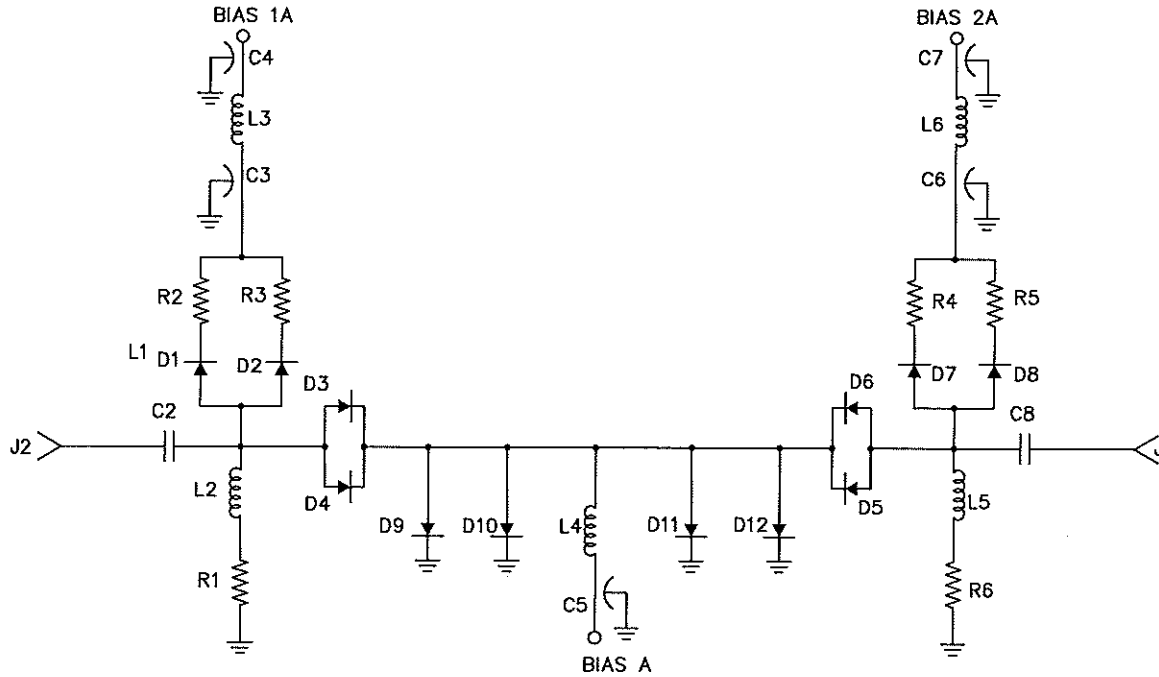
ALL DIMENSIONS ARE IN INCHES
TOLERANCES:
X.XX ±0.020
X.XXX ±0.010

DESCRIPTION

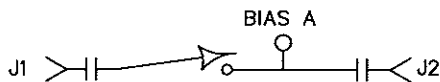
AMC MODEL SWN-2184-1DT-STANDARD OPTION: 818, HSB05, HPR1W, -12VDC IS AN ABSORPTIVE/NON-REFLECTIVE HIGH SPEED, HIGH POWER SINGLE POLE SINGLE THROW SWITCH DESIGNED TO OPERATE OVER THE FULL 8 TO 18 GHz FREQUENCY RANGE.

DATE 11/29/04 APPROVED

FUNCTIONAL BLOCK DIAGRAM



BLOCK DIAGRAM



CONFIDENTIAL AND PROPRIETARY

AMERICAN MICROWAVE CORPORATION

7311-G GROVE ROAD
 FREDERICK, MARYLAND 21704 USA
 TEL: 301-662-4700 FAX: 301-662-4938
 WEBSITE: www.americanmicrowavecorp.com
 E-MAIL: sales@americanmicrowavecorp.com
 ISO 9001:2000 CERTIFIED



APPROVALS		DATE		TITLE			
DRAWN		11/29/04		FUNCTIONAL BLOCK DIAGRAM			
CHECKED		11/29/04		SWN-2184-1DT-STANDARD			
ISSUED				SIZE	FSCM NO.	DWG NO.	REV.
				A	60483	100-7211-002	-
				SCALE	SHEET		3 OF 3
				N:S			